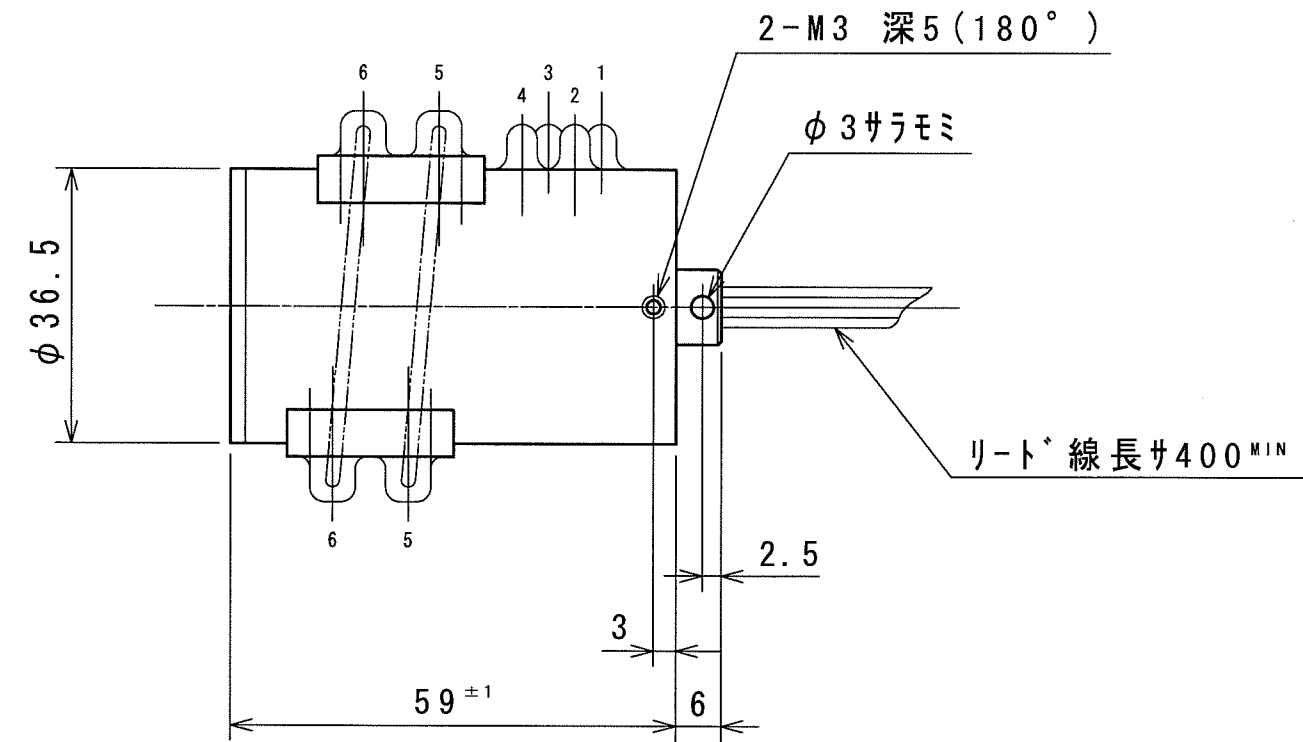
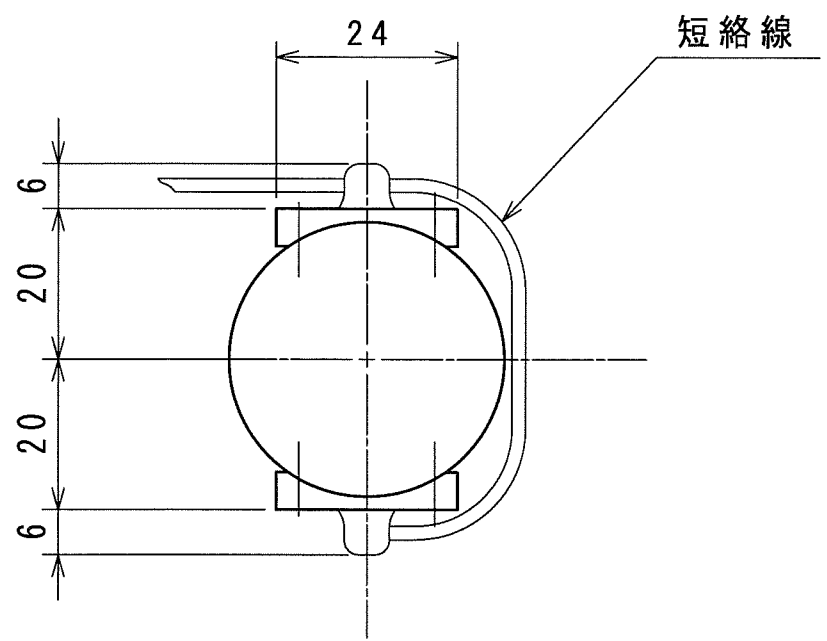
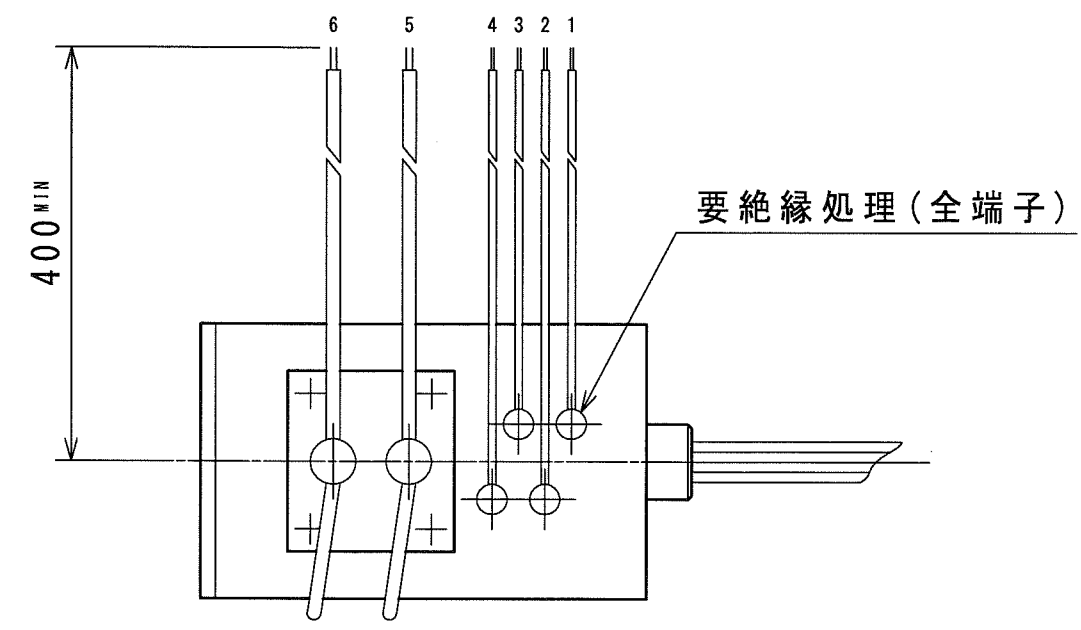
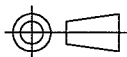


△C			
△B			
△A			



No.	PARTS NAME	MATERIAL	PCS	REMARKS
SCALE		MODEL		
UNIT	mm	SPM-35-6P-12		
DATE		TITLE		
DEG'D		外形図		
CHK'D		DWG. No.		
APP'D				
 ヒカリ電子工業株式会社				